

# Deploy

Tables - Flip Top & Static

## Table Tops

Available in five table top shapes: Square, Rectangle, Barrel, Circular & Elliptical

Five standard finishes: Laminate, MF MDF, Veneer & Fenix. See appendix for Boss Design's standard colorways

Also available in a Poseur height configuration



Circular Flip Top



Standard or Poseur Height



Deploy Table Edge Linking

## Table Frame & Leg Finishes

### Standard:

Black or Grey painted frame with polished foot/glide

### Optional:

Black or Grey painted frame, foot & glide.

**N.B.** Flip Tops only available with polished foot. Powder coated RAL colors can be specified however you must be aware that there is a risk of chipping. Contact us for more details.



Single Gray frame & foot with polished leg & castors.



Single Black Leg, Foot & glides



Black frame & polished double leg with glides



Black frame & double leg with glides



Gray frame & Gray double leg with glides



Gray frame & Polished double leg with glides

## Cable Management & Modesty Panels

Deploy Flip Top tables are available with or without cable management, as shown right.

**N.B.** Modesty Panels cannot be used as a cable management tray due to the fact they feature one set of hook loops only (see right).



Cable Management



Modesty Panel

## Power & Data Management Options

Various power and data options are available to specify on Deploy so please see page 512 for the full range available

As standard, power is located center of the table and runs parallel with the longest edges.

Drawings are provided for your reference prior to ordering and are to be used as a guide

For customers own power please contact us for compatibility



Pixel Power Unit - Surface Mounted

boss

## Specification

### Legs & Frame

The Deploy consists of a painted steel frame, aluminum lower leg in either polished or optional matching painted finish.

### Standard frame finishes:

Black RAL 9005  
Silver RAL 9006  
Standard lower leg/glides finishes  
Polished Aluminum

### Optional leg/glide finishes

**(Not available on flip top due to high risk of paint chipping)**

Black - RAL 9005  
Silver - RAL 9006

### Legs Positioning

Deploy flip top tables have the option to specify either outset or inset legs at no additional charge.

### Foot Finish

Deploy is available with braked silver castors or polished/painted aluminum glides.

### Please Note:

Deploy table with Glides is 29.25" (740mm) High  
Deploy table with Castors is 28.75" (730mm) High

### Table Top Detail

1" Across the whole range  
Laminate - Square Edge Only

Square or Chamfered (chamfered available on static tables only):

Veneer  
Fenix  
Laminate

### Grain Direction

Single table top pieces - Grain runs lengthways  
Two or more table top pieces - Grain runs widthways

### Table Top Linking

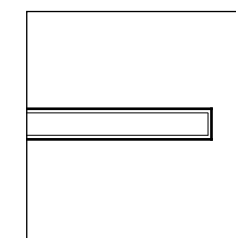
Linking is available in the following locations:

Long Side (4 Links per table)

Short side (4 Links per table)

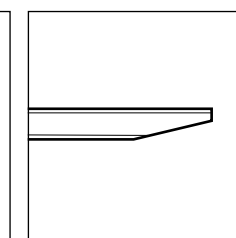
All Round Linking (8 links per table up to 78" (2000mm) tops - 10 per table if table length is over 78" (2000mm)

**Edge Details**  
Square Edge



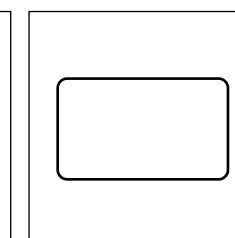
Side Profile

**Chamfered Edge**  
Static Tables Only



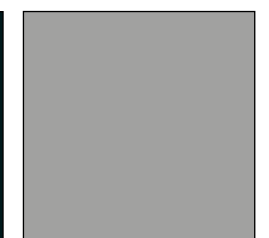
Side Profile

**4" Radius Corners**



Plan View

**RAL Colors\***  
Standard Finish Colors



Black RAL 9005

Silver RAL 9006

\*Due to the printing process, colors are approximate. Please view an RAL color chart for accurate color representation

### Certification

Deploy is certified to the following standard(s):

• BS EN 16139 : 2013 - Furniture. Strength, durability and safety.

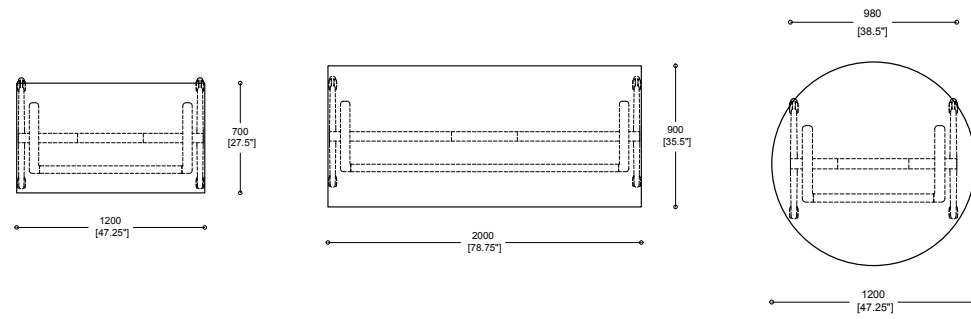


## Outset Leg

The smallest & largest line drawings for the Deploy Flip Top tables with Outset Legs are shown (right) for reference.

A complete and detailed list of sizes and specifications can be viewed by scanning the QR code below.

If you are viewing this digitally, simply click the QR code below.



## Inset Leg

The smallest & largest line drawings for the Deploy Flip Top tables with Inset Legs are shown (right) for reference.

A complete and detailed list of sizes and specifications can be viewed by scanning the QR code below.

If you are viewing this digitally, simply click the QR code below.

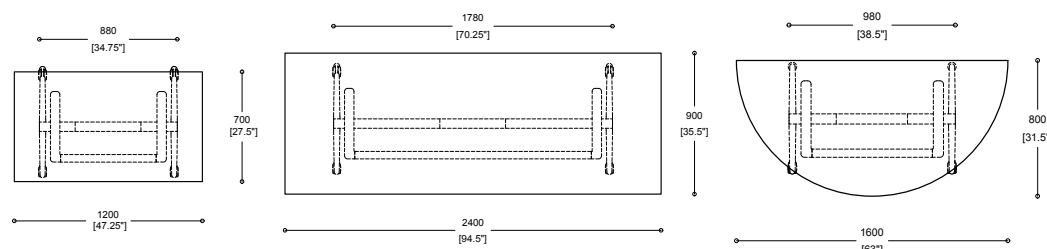


TABLE TOP SHAPE	Code:	Size L x W x H			Seats Approx.	No. of Tops	Square Edge Only			(lb)
							Laminate 1"	Veneer 1"	Fenix 1"	
Rectangle	<b>DEP/F/R/107</b>	39.25	27.5	29.25	4	1	2528	2916	2658	-
Rectangle	<b>DEP/F/R/109</b>	39.25	35.5	29.25	4	1	2592	2990	2728	-
Rectangle	<b>DEP/F/R/127</b>	47.25	27.5	29.25	4	1	2680	3066	2812	-
Rectangle	<b>DEP/F/R/147</b>	55	27.5	29.25	6	1	2772	3168	2970	-
Rectangle	<b>DEP/F/R/1575</b>	59	29.5	29.25	6	1	2788	3194	2980	-
Rectangle	<b>DEP/F/R/168</b>	63	31.5	29.25	6	1	3058	3286	3826	-
Rectangle	<b>DEP/F/R/189</b>	70.75	35.5	29.25	6	1	3108	3468	3872	-
Rectangle	<b>DEP/F/R/209</b>	78.75	35.5	29.25	8	1	3144	3590	3924	-
Rectangle	<b>DEP/F/R/229</b>	86.5	35.5	29.25	8	1	3256	3768	4100	-
Rectangle	<b>DEP/F/R/249</b>	94.5	35.5	29.25	10	1	3486	3776	4260	-
<b>Poseur Height - 43.5" High</b>										
Rectangle	<b>DEP/F/P/R/1575</b>	59	29.5	43.25	4	1	2798	3208	2988	-
Rectangle	<b>DEP/F/P/R/189</b>	70.75	35.5	43.25	6	1	3206	3564	3962	-
Rectangle	<b>DEP/F/P/R/209</b>	78.75	35.5	43.25	8	1	3242	3684	4014	-
<b>Circular</b>										
Circular	<b>DEP/F/C/10</b>	39.25 Dia		29.25	4	1	2650	2716	3536	-
Circular	<b>DEP/F/C/12</b>	47.25 Dia		29.25	4	1	2788	2844	3586	-
Circular	<b>DEP/F/C/14</b>	55 Dia		29.25	4	1	2844	3072	3780	-
<b>Semi-Circular</b>										
Semi-Circular	<b>DEP/F/SC/168</b>	63	31.5	29.25	3	1	3026	3226	3850	-
Semi-Circular	<b>DEP/F/SC/189</b>	70.75	35.5	29.25	3	1	3066	3380	3892	-

Product Weight



## Options

CODE:	DESCRIPTION	\$
<b>PF</b>	Painted Frame Only Finishes RAL 9005 & RAL 9006	Inc
<b>LINKING LOCATIONS</b>	Long Side	104
	Short Side	104
	All Round - 78.75" tables or less	204
	All Round - 78.75" table and larger	246
<b>FEET</b>	Lockable Silver Castors or Polished Glides	Inc
<b>CABLE MANAGEMENT</b>	Cable Tray - Black	172
	Modesty Panel - Black	172
	Vertical Cable Management - Black	90

CODE:	DESCRIPTION	\$
<b>RAD 1</b>	4" radius corners - Single top	320
<b>CUT OUT</b>	Cut out for customers own power & data	112
<b>PIXEL</b>	White Pixel - 1x Power and 1x TUF A+C	440
<b>POWERBAR</b>	4x Power, GST 18/3 Power Entry/Exit	518
<b>P&amp;D</b>	Power & Data Options - See power & data	page 512

<b>Product Certification</b>	BS EN 16139:2013 Furniture. Strength, durability and safety
------------------------------	---

# Deploy

Static Tables

boss



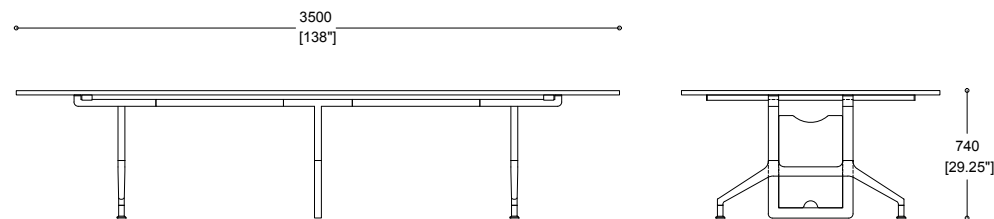
Image Shows Deploy Multi with black leg and frame, white Laminate top & trinetic Task Chairs

## Multi Leg

Deploy Static tables above L118" feature a cable managed central leg (shown above & right).

A complete and detailed list of sizes and specifications can be viewed by scanning the QR code below.

If you are viewing this digitally, simply click the QR code below.



## Deploy Static Barrel

As part of the Deploy Static range we offer a Barrel shaped top profile (shown right). The sizings shown in the pricing table states the size of the table in the following format:

Table Length x Widest Width x Narrowest Width.

In the line drawing shown, this table is shown as:

W177" x W59" x W47.25"

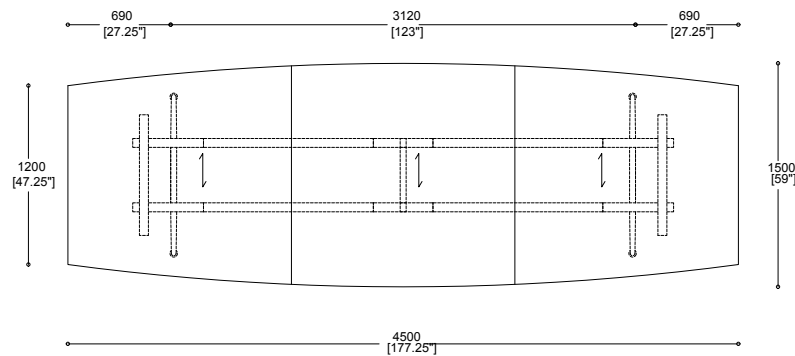


TABLE TOP SHAPE	Code:	Size L x W (all 29.25" High)		No. of Mid Legs	Seats Approx.	No. of Tops	Square OR Chamfered Edge			Weight (lb)	
		Laminate 1"	Veneer 1"				Fenix 1"				
NON-CABLE MANAGED LEG	Rectangle	<b>DEP/S/R/127</b>	47.25	27.5	N/A	4	1	2388	2758	2602	-
	Rectangle	<b>DEP/S/R/147</b>	55	27.5	N/A	6	1	2456	2824	2754	-
	Rectangle	<b>DEP/S/R/1575</b>	59	29.5	N/A	6	1	2448	2834	2744	-
	Rectangle	<b>DEP/S/R/168</b>	63	31.5	N/A	6	1	2698	2908	3580	-
	Rectangle	<b>DEP/S/R/189</b>	70.75	35.5	N/A	6	1	2734	3062	3612	-
	Rectangle	<b>DEP/S/R/209</b>	78.75	35.5	N/A	8	1	2726	3076	3618	-
	Rectangle	<b>DEP/S/R/249</b>	94.5	35.5	N/A	10	1	5052	5448	6140	-
	Rectangle (Double Leg)	<b>DEP/S/R/2412</b>	94.5	47.25	N/A	10	1	3230	3504	4196	-
	Rectangle (Double Leg)	<b>DEP/S/R/3012</b>	118	47.25	N/A	12	2	8086	8950	10348	-
	Rectangle (Double Leg)	<b>DEP/S/R/3015</b>	118	59	N/A	12	2	8614	9336	10398	-
CABLE MANAGED LEG	Rectangle (Double Leg)	<b>DEP/S/R/3512</b>	137.75	47.25	1	12	3	10894	11406	12730	-
	Rectangle (Double Leg)	<b>DEP/S/R/3515</b>	137.75	59	1	12	3	11182	11992	13060	-
	Rectangle (Double Leg)	<b>DEP/S/R/4012</b>	157.5	47.25	1	16	3	11446	12296	13350	-
	Rectangle (Double Leg)	<b>DEP/S/R/4015</b>	157.5	59	1	16	3	11432	12266	13232	-
	Rectangle (Double Leg)	<b>DEP/S/R/4515</b>	177.25	59	1	16	3	11802	12458	13842	-
	Rectangle (Double Leg)	<b>DEP/S/R/5012</b>	196.75	47.25	1	18	4	13694	14082	16528	-
	Rectangle (Double Leg)	<b>DEP/S/R/5015</b>	196.75	59	1	18	4	14460	14612	17092	-
	Rectangle (Double Leg)	<b>DEP/S/R/5515</b>	216.5	59	2	18	4	15610	16118	18230	-
	Rectangle (Double Leg)	<b>DEP/S/R/6015</b>	236.25	59	2	20	4	15890	16454	18524	-
<b>Barrel</b>		Dimensions show length, thickest width & narrowest width		L x TW x NW							
Barrel (Double Leg)	<b>DEP/S/B/241512</b>	94.5" x 59" x 47.25"		N/A	8	1	4628	5536	6228	-	
Barrel (Double Leg)	<b>DEP/S/B/301512</b>	118" x 59" x 47.25"		N/A	12	2	9560	10276	11336	-	
Barrel (Double Leg)	<b>DEP/S/B/351512</b>	137.75" x 59" x 47.25"		1	15	3	12594	13404	14464	-	
Barrel (Double Leg)	<b>DEP/S/B/401512</b>	157.5" x 59" x 47.25"		1	14	3	12836	13672	14634	-	
<b>Circular</b>		DEP/S/C/15		59" dia	N/A	4	1	3486	3724	4460	-

TABLES

## Options

Product Weight

CODE:	DESCRIPTION	\$	CODE:	DESCRIPTION	\$
<b>PAINTED FRAMES PF</b>	Painted Frame Only Finishes RAL 9005 & RAL 9006	inc	<b>RAD 1</b>	4" radius corners - Single top	320
	Black or Silver frame with polished foot & Glide	inc	<b>RAD 2</b>	4"100mm radius corners - Double top	640
	Single Leg Painted frame with Glides (per table)	194	<b>CUT OUT</b>	Cut out for customers own power & data	112
	Double Leg Painted frame with Glides (per table)	308	<b>PIXEL</b>	White Pixel - 1x Power and 1x TUF A+C	440
<b>LINKING LOCATIONS</b>	Long Side	104	<b>P&amp;D</b>	Power & Data Options - See power & data page	512
	Short Side	104			
	All Round - 2000mm tables or less	204			
	All Round - 2000mm table and larger	246			
<b>FEET</b>	*Lockable Silver Castors (**table size/weight dependant) or Polished Glides	inc			
<b>CABLE MANAGEMENT</b>	Cable Tray - Black	172			
	Modesty Panel - Black	172			
	Vertical Cable Management - Black	90			

<b>Product Certification</b>	BS EN 16139:2013 Furniture. Strength, durability and safety
------------------------------	---